



smartEditor Configuration Guide
to
ESRI Geoportal Server

Revision History

Revision Number	Date of Publication	Author(s)	Change Description
1.0	28.01.2011	Stefan Blume	initialization
1.1	07.02.2011	Kristian Senkler	<ul style="list-style-type: none">- Added license text to preamble- Checked spelling.
1.2	27.07.2011	Kristian Senkler	Added note on changes in geoportal 1.1.1

Editor(s)

Stefan Blume
con terra GmbH
Martin-Luther-King-Weg 24
48155 Muenster, Germany
Email: s.blume@conterra.de

License

This document is part of 52°North.

Copyright (C) 2011 by 52°North Initiative for Geospatial Open Source Software GmbH

Contact: Andreas Wytzisk
 52°North Initiative for Geospatial Open Source Software GmbH,
 Martin-Luther-King-Weg 24,
 48155 Münster, Germany, info@52north.org

This program is free software; you can redistribute and/or modify it under the terms of the Apache 2.0 License as published by the Apache Software Foundation.

This program is distributed WITHOUT ANY WARRANTY; even without the implied WARRANTY OF MERCHANTABILITY or FITNESS FOR A PARTICULAR PURPOSE. See the Apache 2.0 License for more details.

You should have received a copy of the Apache 2.0 License along with this program (see LICENSE.txt). If not, visit the Apache Software Foundation web site:

<http://www.apache.org/licenses/LICENSE-2.0.html>.

For more information, contact:

52°North Initiative for Geospatial Open Source Software GmbH

Martin-Luther-King-Weg 24

48155 Münster, Germany

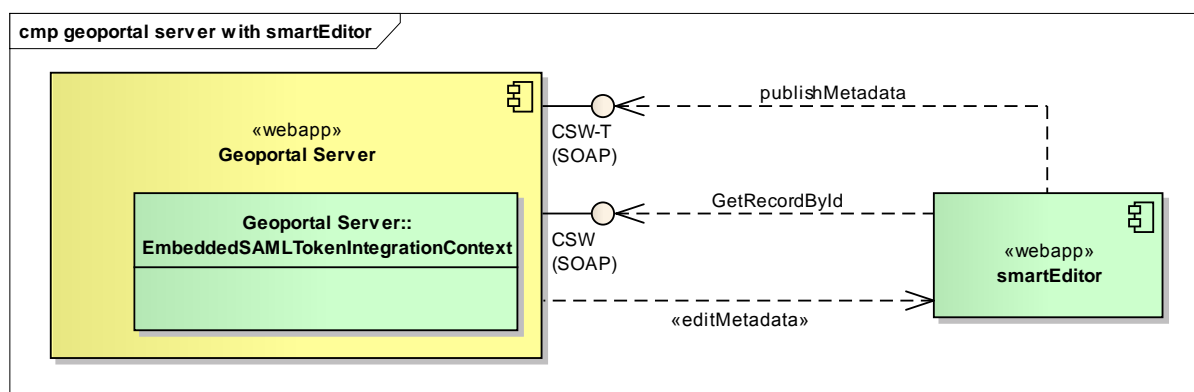
<http://52north.org>

Table of Contents

1	Introduction.....	6
2	Configuration.....	6
2.1	Configure smartEditor for Geoportal	6
2.1.1	CSW endpoint configuration	6
2.1.2	Using ESRI ArcGIS Server JS API for map widget	7
2.2	Configure Geoportal Server for smartEditor	7
2.2.1	Copy and configuration	7
2.2.2	Optional: keystore generation	8
2.2.3	Known issue: SAML token parameter name	9
2.2.4	Choosing the way of smartEditor integration when starting from scratch.....	9
2.2.4.1	How do I change the IFrame settings?	11
2.2.4.2	How do I remove the “smartEditor” link from “Administration” tab?.....	11
3	Important version notes.....	11
3.1	Changes in geoportal version 1.1.1	11

1 Introduction

Both smartEditor and ESRI Geoportal Server (<http://geoportal.sourceforge.net/>) have been modified to run with each other as two web applications. This means that you can use smartEditor as the primary metadata editor in Geoportal Server.



Basically Geoportal can call smartEditor sending the fileIdentifier of a specific document. Then smartEditor will request Geoportal for that document. After the user has finished editing the resource, smartEditor will return the document to the Geoportal Server via a CSW-T request (SOAP protocol).

To ensure the user's identity geoportal sends a SAML token to smartEditor application when invoking the edit procedure. smartEditor will also send this token back to geoportal when the user pushes the publish button. The token is being generated inside of the geoportal based on the current logged in user information. The SAML token will also be signed digitally to make it immutable.

This document describes the configuration of Geoportal Server and smartEditor.

2 Configuration

smartEditor webapp directory will be referenced as `$EDITOR_HOME` in the next chapters.

Geoportal Server webapp directory will be referenced as `$GEOPORTAL_HOME` in the next chapters.

2.1 Configure smartEditor for Geoportal

2.1.1 CSW endpoint configuration

If you want to bind smartEditor to the CSW-T of Geoportal server, you'll need to edit the main configuration file of smartEditor. Open `$EDITOR_HOME/WEB-INF/classes/application.properties` and locate the two properties

- `csw.discovery`
- `csw.manager`

Assuming a standard configuration of geoportal the appropriate settings for these two values are:

```
csw.discovery=http://[server]/geoportal/csw202/discovery/soap
```

`csw.manager=http://[server]/geoportal/csw202/publication/soap`

With `[server]` being the name of your http server running Geoportal Server.

2.1.2 Using ESRI ArcGIS Server JS API for map widget

It is possible to switch the map widget inside of smartEditor between an OpenLayers based or an ArcGIS Server based implementation.

Currently this can be done by using the maven module overlay being part of the smartEditor maven project. To enable the ESRI Geoportal map widget please build the artifact `smarteditor-gpt-webapp` from

`https://svn.52north.org/svn/metadata/smarteditor/`

2.2 Configure Geoportal Server for smartEditor

As mentioned Geoportal Server got some programmatic extensions to interact with other web applications seamlessly. On the one hand this is con terra's sdi.suite software but smartEditor as well.

2.2.1 Copy and configuration

52n metadata community page (<http://52north.org/communities/metadata>) provides access to a set of files that allows for integration of smartEditor using the extension points provided by ESRI Geoportal Server.

This package contains the following files:

```
WEB-INF\
    classes\gpt\config\gpt-tc.xml
    classes\de\conterra\suite\
    security\portal\gpx\EmbeddedSAMLTokenIntegrationContext.class
lib
    log4j-1.2.14.jar
    opensaml-1.1c.jar
    xml-resolver-1.1.jar
    xmlsec-1.4.3.jar
```

Stop your Servlet engine and copy the folder WEB-INF to `$GEOPORTAL_HOME` and make sure you have made a backup of your geoportal instance.

Afterwards you need to open the file `$GEOPORTAL_HOME\WEB-INF\classes\gpt\config\gpt-tc.xml` and adjust some configuration values. Most of the values have xml comment strings it is just necessary to edit these parameters:

parameter name	default value	explanation
<code>sdisuite.enabled</code>	true	can stay the same:

		"true"
sdsuite.integrationContextClass	de.conterra.suite.security.portal.gpx.Emb deddedSAMLTokenIntegrationContext	class name of implementation of smartEditor integration
sdsuite.smartEditorUrl	http://[host]/smartEditor/startEditor.do	change the [host] value according to your environment
sdsuite.smartEditorStartWith Url	http://[host]/smartEditor/startWithExter nalResource.do	same as above
sdsuite.keystore.passwd	changeit	password to access the keystore
sdsuite.keystore.location	/.keystore	path to the keystore containing the certificate that is used to sign the SAML assertions within the SAML token. Path needs to be classpath resolvable
sdsuite.keystore.key.alias	gpt-security	alias of the named certificate
sdsuite.keystore.key.passwd	changeit	password to access the certificate

2.2.2 Optional: keystore generation

If you don't have a keystore file yet, you'll need to generate one by opening a command line on your system (assuming here you are running a Windows OS) and executing the following statement:

```
"%JAVA_HOME%\bin\keytool" -genkey -keystore ".keystore" -storepass  
"changeit" -alias "gpt-security" -keypass "changeit" -keyalg RSA -validity  
1800 -dname CN=security,OU=server,O=[company_name],C=EU"
```

Update [company_name] by setting your organization name. This command will generate a keystore file named ".keystore" having one certificate which alias named "gpt-security". Both keystore and certificate have the password "changeit" set. Change these settings where necessary.

After generating the file it has to be copied to:

- \$EDITOR_HOME/WEB-INF/classes/
- \$GEOPORTAL_HOME/WEB-INF/classes/

Additionally make sure you have configured smartEditor's parameters according to security correctly set, see file `$EDITOR_HOME/WEB-INF/classes/application.properties` and chapter 4.1 of "Installation Guide for smartEditor version 1.0".

2.2.3 Known issue: SAML token parameter name

There is one known bug according the integration of smartEditor to ESRI Geoportal's metadata management interface. The html form parameter name is wrong and needs to be adjusted.

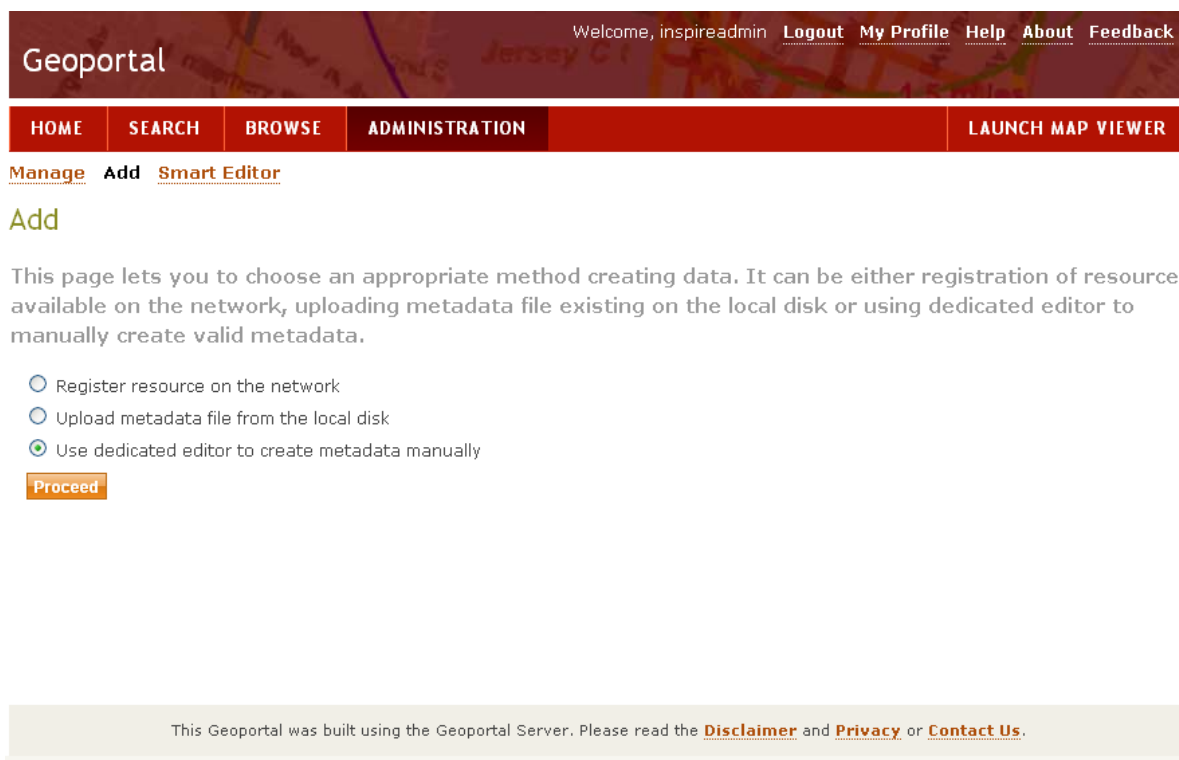
Open `$GEOPORTAL_HOME/catalog/publication/manageMetadataBody.jsp` in an editor and replace all occurrences of string "samlTicket" by "ticket" (should occur twice).

2.2.4 Choosing the way of smartEditor integration when starting from scratch

There are two possibilities to integrate smartEditor into the ESRI Geoportal Server Metadata Editing workflow:

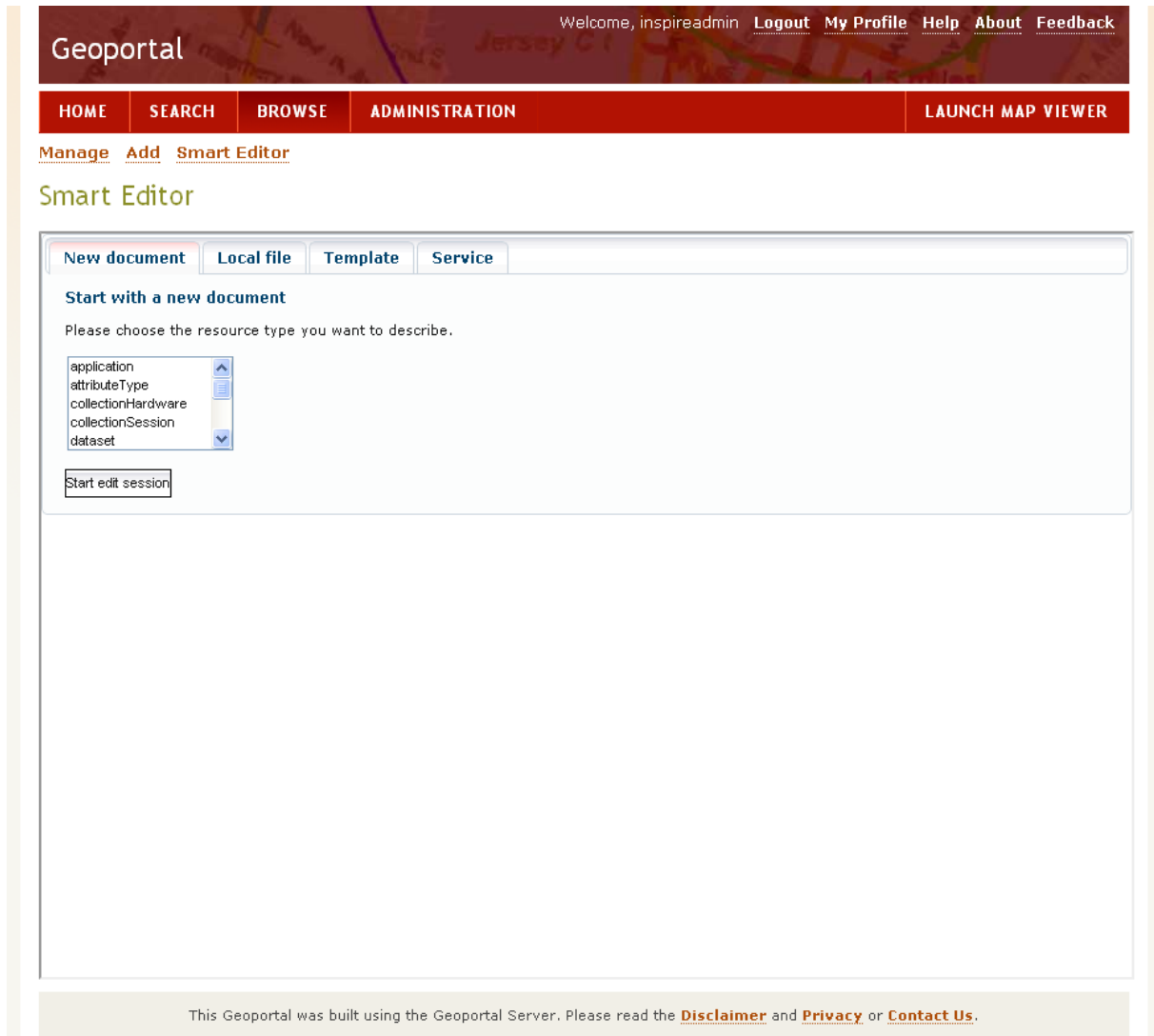
- replace the existing Geoportal internal metadata editor
- add smartEditor as separate metadata editing capability

The latter one is directly activated when applying all steps of integration. Replacing the existing editor means, having the smartEditor running within the Geoportal (IFrame based) without being capable of choosing the Geoportal Server internal metadata capability.



The screenshot shows the ESRI Geoportal Administration interface. At the top, there is a navigation bar with the 'Geoportal' logo and user information: 'Welcome, inspireadmin' with links for 'Logout', 'My Profile', 'Help', 'About', and 'Feedback'. Below this is a main navigation menu with 'HOME', 'SEARCH', 'BROWSE', 'ADMINISTRATION' (highlighted), and 'LAUNCH MAP VIEWER'. Under 'ADMINISTRATION', there are links for 'Manage', 'Add', and 'Smart Editor'. The 'Add' link is selected, leading to a page titled 'Add'. The page content states: 'This page lets you to choose an appropriate method creating data. It can be either registration of resource available on the network, uploading metadata file existing on the local disk or using dedicated editor to manually create valid metadata.' There are three radio button options: 'Register resource on the network', 'Upload metadata file from the local disk', and 'Use dedicated editor to create metadata manually' (which is selected). A 'Proceed' button is located below the options. At the bottom of the page, a footer note reads: 'This Geoportal was built using the Geoportal Server. Please read the [Disclaimer](#) and [Privacy](#) or [Contact Us](#).'

After clicking "Proceed" smartEditor will be opened using an IFrame:



If you choose this option for new metadata documents, open the file `$GEOPORTAL_HOME/WEB-INF/gpt-faces-config.xml` in an editor and locate the element:

```
<navigation-case>
  <from-outcome>catalog.publication.createMetadata</from-outcome>
  <to-view-id>/catalog/publication/createMetadata.jsp</to-view-id>
  <redirect/>
</navigation-case>
```

Change this to (changes highlighted) :

```
<navigation-case>
  <from-outcome>catalog.publication.createMetadata</from-outcome>
  <to-view-id>/catalog/tc/smartEditor.jsp</to-view-id>
  <redirect/>
</navigation-case>
```

The file `smartEditor.jsp` is already part of your geoportal distribution.

2.2.4.1 How do I change the IFrame settings?

Open the file `$GEOPORTAL_HOME/catalog/tc/smartEditorBody.jsp` in an editor and locate the IFrame-element (around line #66).

```
<iframe id="ifrm-sdisuite-launch" name="ifrm-sdisuite-launch" width="100%"
height="600px" src=""></iframe>
```

For example, if you want to disable the Iframe border change the element as follows:

```
<iframe id="ifrm-sdisuite-launch" name="ifrm-sdisuite-launch"
style="border: 0px;" width="100%" height="600px" src=""></iframe>
```

2.2.4.2 How do I remove the “smartEditor” link from “Administration” tab?

Open the file `$GEOPORTAL_HOME/catalog/skins/tiles/secondaryNavigation.jsp` in an editor and locate following element (around line #109).

```
<h:outputLink
    id="sdisuiteEditor" value="javascript:void(0);"
    styleClass="" onclick="snSdiSuiteLauncher('Editor');"
    rendered="{PageContext.roleMap['gptPublisher']
and not empty SdiSuiteIntegrationFactory.smartEditorUrl}">
    <h:outputText
        value="{gptMsg['catalog.sdisuite.smartEditor.menuCaption']}" />
</h:outputLink>
```

Add html comment strings around this element and save the file.

3 Important version notes

3.1 Changes in geoportal version 1.1.1

If you are integrating smartEditor with geoportal 1.1.1, be sure to uncomment the following line of code in the file `$GEOPORTAL_HOME\WEB-INF\classes\gpt\config\gpt-tc.xml`:

```
<!-- uncomment if using geoportal version 1.1.1 -->
<!-- possible values are: 'dialog', 'iframe' and 'externalWindow'
<parameter key="sdisuite.integrationType" value="dialog"/>
```

This value declares how the smart Editor window shall be opened when activated.

Enjoy!